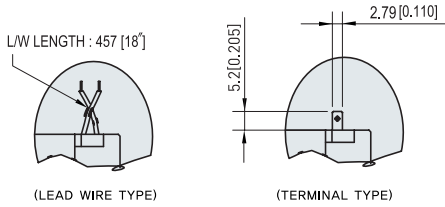
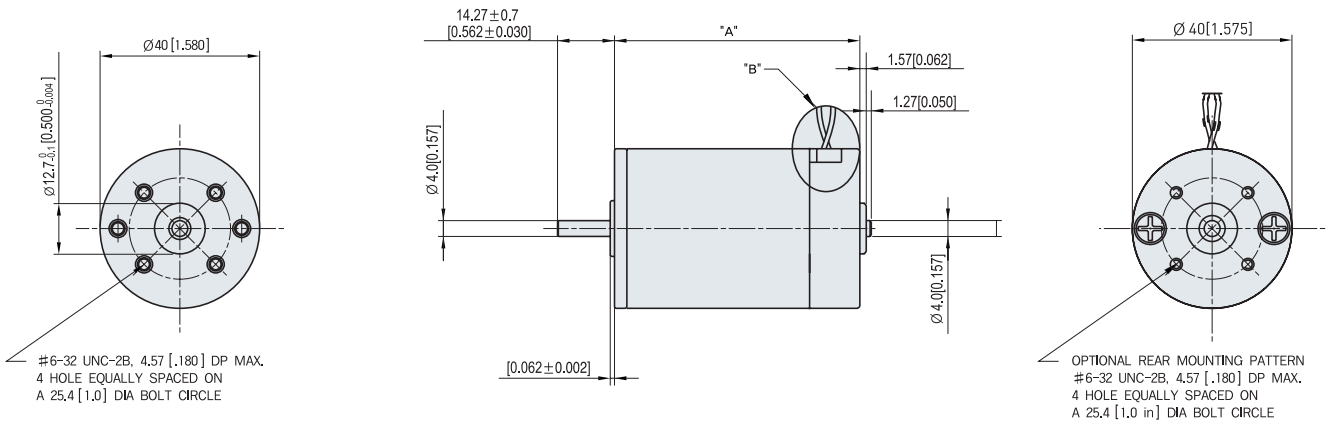


COMPACT TYPE RM4 SERIES MOTOR

MOTOR DIMENSION

UNIT : mm[inch]



DETAIL "B" CONNECTOR METHOD

MODEL NO.	"A"
RM42□□□	46.4 [1,827]
RM43□□□	56.0 [2,205]
RM44□□□	61.1 [2,406]
RM45□□□	68.7 [2,705]
RM46□□□	77.6 [3,055]

MOTOR SPECIFICATION

(Voltage : DC 24V)

Type	No Load		Rated			Stall(Peak)		Run Duty Hr	Weight Kg		
	Revolution	Current	Contionuus Torque(Max.)		Revolution	Current	Peak Torque			Current	
	RPM	A	-	N-m	RPM	A	-			A	
RM42B□□	7015	0.24	0.02	N-m	5497	0.74	0.064	N-m	2.9	1000	0.20
			2.22	oz-in			9.02	oz-in			
			0.16	kgf · cm			0.65	kgf · cm			
RM43B□□	5993	0.20	0.03	N-m	4486	1.13	0.140	N-m	5.0	1000	0.25
			4.58	oz-in			19.84	oz-in			
			0.33	kgf · cm			1.43	kgf · cm			
RM44B□□	6151	0.24	0.04	N-m	5111	1.20	0.266	N-m	7.7	1000	0.29
			5.97	oz-in			37.61	oz-in			
			0.43	kgf · cm			2.71	kgf · cm			
RM45B□□	6348	0.30	0.05	N-m	5440	1.58	0.324	N-m	10.8	1000	0.33
			6.80	oz-in			45.93	oz-in			
			0.49	kgf · cm			3.31	kgf · cm			
RM46B□□	4916	0.24	0.07	N-m	4101	1.53	0.369	N-m	8.7	1000	0.39
			9.44	oz-in			52.32	oz-in			
			0.68	kgf · cm			3.77	kgf · cm			

※ Run duty is valued at rated Voltage and No load.