



# PAL Series 3-Phase

# 0.2kW

## ■ SPECIFICATION

### ■ MOTOR

Output (kW)	Model Name	Poles	Voltage (V)	Freq. (Hz)	Rated Load			Duty	Degrees of protection	Insulation Classification	Protective Cooling System
					Current (A)	Speed (r/min)	Efficiency (%)				
0.2	PAL□-□-M□020R4□	4	220/380	60	1.10/0.60	1715	71.5	CONT.	IP55	F	Totally Enclosed Fan-Cooled
	PAL□-□-M□020W6□	4	200	50	1.10	1415	71.7				
			200/220	60	1.00/1.00	1690/1715	72.8/73.2				
	PAL□-□-M□020X6□	4	380/400	50	0.60/0.60	1410/1420	71.0/67.2				
			400/440	60	0.50/0.50	1700/1720	70.8/73.4				

- The Brake Geared Motor is divided into 2 models: one is a non-water proof product with IP40 while the other is a waterproof product with IP55.
- The Models with IP40 and IP55 have the same electric characteristics.

### ■ GEARED MOTOR – 50Hz

Frame No.	18					22					28					
Reduction gear ratio	5	10	15	20	25	30	40	50	60	80	100	100	120	160	200	
Rotation speed (r/min)	300	150	100	75	60	50	37.5	30	25	18.8	15	15	12.5	9.4	7.5	
Allowable torque	kgf · m	0.62	1.2	1.9	2.5	3.1	3.7	4.8	6	7.2	9.6	9.9	11.9	14.3	19.1	23.9
	N · m	6.1	11.8	18.6	24.5	30.4	36.3	47	58.8	70.6	94.1	97	117	140	187	234
Allowable O.H.L	kgf	60	90	100	120	130	180	190	200	220	250	250	290	340	350	350
	N	588	882	980	1180	1270	1760	1860	1960	2160	2450	2450	2840	3330	3430	3430

### ■ GEARED MOTOR – 60Hz

Frame No.	18					22					28					
Reduction gear ratio	5	10	15	20	25	30	40	50	60	80	100	100	120	160	200	
Rotation speed (r/min)	360	180	120	90	72	60	45	36	30	22.5	18	18	15	11.2	9	
Allowable torque	kgf · m	0.51	1	1.5	2.1	2.6	3.1	4	5	6	8	8.2	10	11.9	15.9	19.9
	N · m	5	9.8	14.7	20.6	25.5	30.4	39.2	49	58.8	78.4	80.4	98	117	156	195
Allowable O.H.L	kgf	60	90	100	120	130	180	190	200	220	250	250	290	340	350	350
	N	588	882	980	1180	1270	1760	1860	1960	2160	2450	2450	2840	3330	3430	3430

- Note) • Permissible O.H.L (allowable overhung load) is based on the central part of the outlet length for output shaft  
 • ■ Color indicates the same direction of motor rotation, while other color indicates the opposite direction of motor rotation.

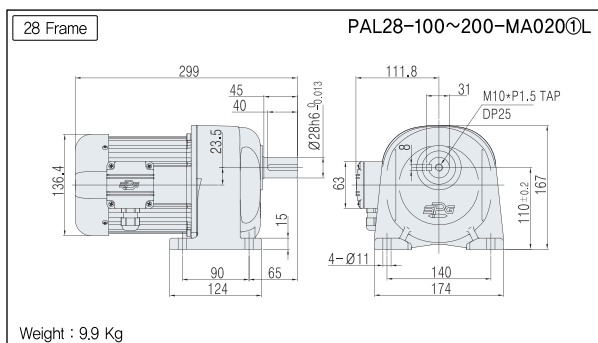
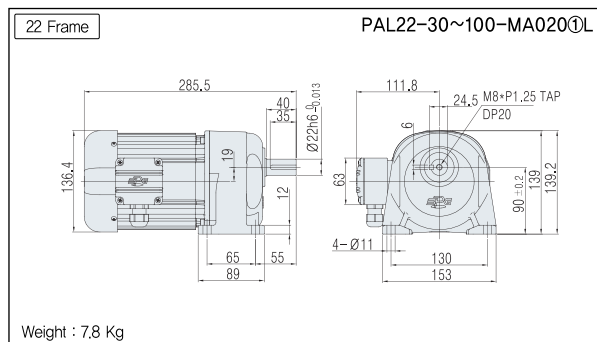
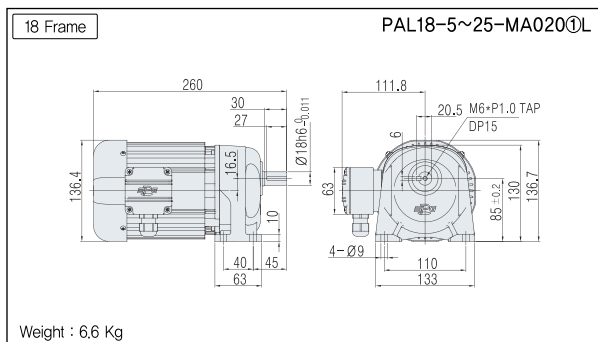
Model Name Coding  
 36Page

Specification for output shaft  
 70Page

Technological Data  
 101Page

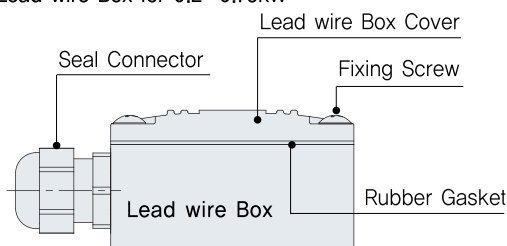
■ PAL TYPE DIMENSIONS [ Lead wire Box Type ]

UNIT = mm



• Model type ① : Power (Voltage & Frequency)

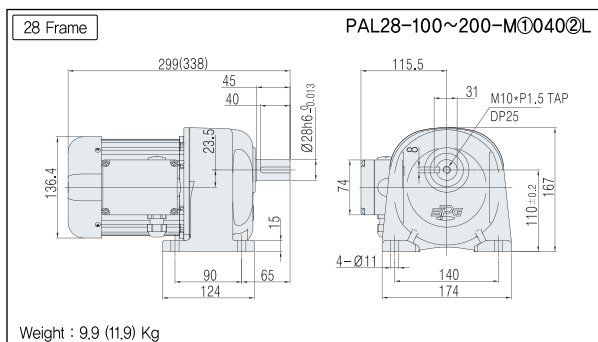
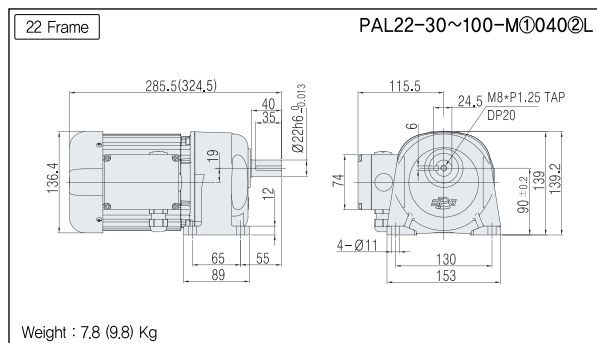
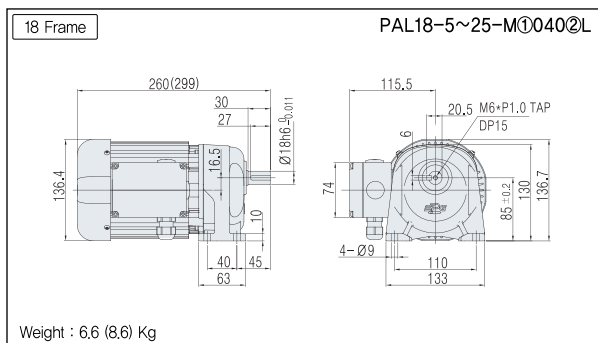
■ Lead wire Box for 0.2~0.75kW



■ PAL TYPE DIMENSIONS [ Terminal Box Type ]

- Note) • Dimensions for IP40 model and IP55 model are the same.  
 • The brake-attached model is applied to the Terminal Box Type for basic features, but does not apply to the lead wire box type.  
 • ( ) dimension and weight in dimensions is for brake attached model specification

UNIT = mm



• Model type ① : Motor option (B, C, D)

② : Power (Voltage & Frequency)

■ Terminal Box for 0.2~0.75kW

