



High Efficiency

P Series 3-Phase Flange Mounted Type

0.75kW

■ SPECIFICATION

■ MOTOR

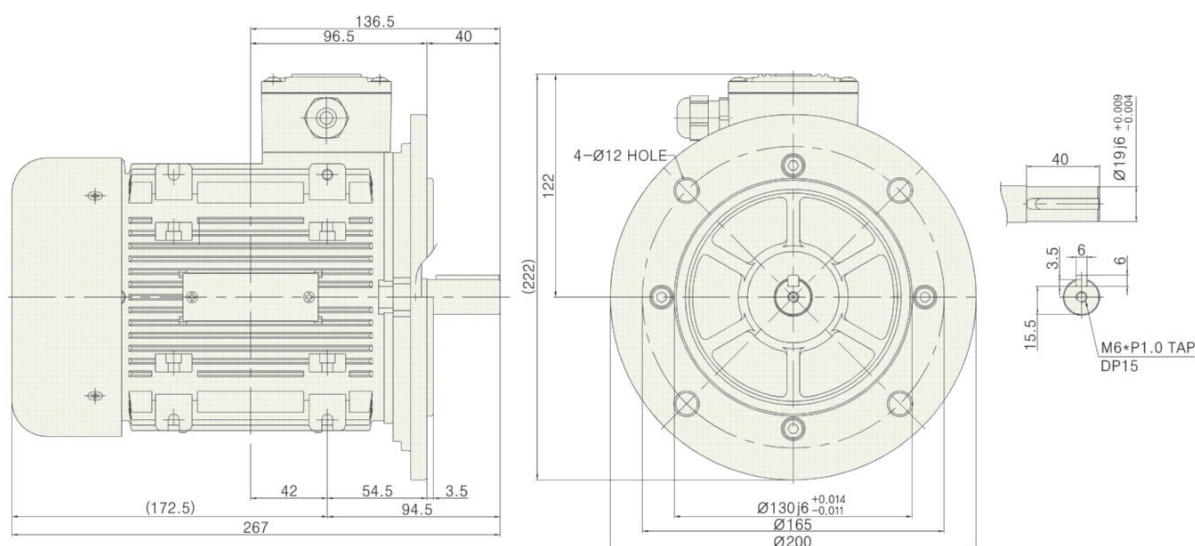
Frame No.	Output (kW)	Model Name	Poles	Voltage (V)	Freq. (Hz)	Duty	Rated Load					Degrees of protection	Insulation Classification	Protective Cooling System
							Current (A)	Speed (r/min)	Torque (kgf-cm)	Power Factor(p.u.)	Efficiency (%)			
80M	0.75	PEEF075-2R4F□□	2	220/380	60	CONT.	3,25/1,88	3450	21,1	0,78	76,1	IP55	F	Totally Enclosed Fan-Cooled
					50		3,20/1,85	2885	25,3	0,75	77,4			
		2	460	60	1,80		3470	23,8	0,76	76,1				
			4	220/380	60		3,10/1,80	1705	42,5	0,75	83,2			
		4			230/400		50	3,05/1,75	1415	51,3	0,76			
			60	1,70			1700	48,9	0,79	82,6				

Note) • Foot (Leg) Mounted Type and Flange Mounted Type have the same specifications

• Actual rated power for voltage U6 model is 0,75kW at 230V/400V 50Hz and 0,86kW at 460V 60Hz

■ PE-F Type DIMENSIONS [Flange Mounted Type]

UNIT = mm



Note) • Key and Key groove tolerance : KS B 1311
• ØD tolerance for output shaft : KS B 0401

Bearing No.		Weight
Load	Unload	
6204ZZ	6203ZZ	11,7kg

Model Name Coding
9Page

Specification for output shaft
30Page

Technological Data
101Page